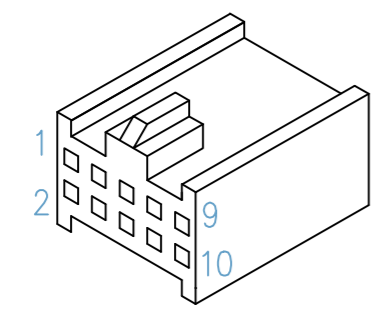
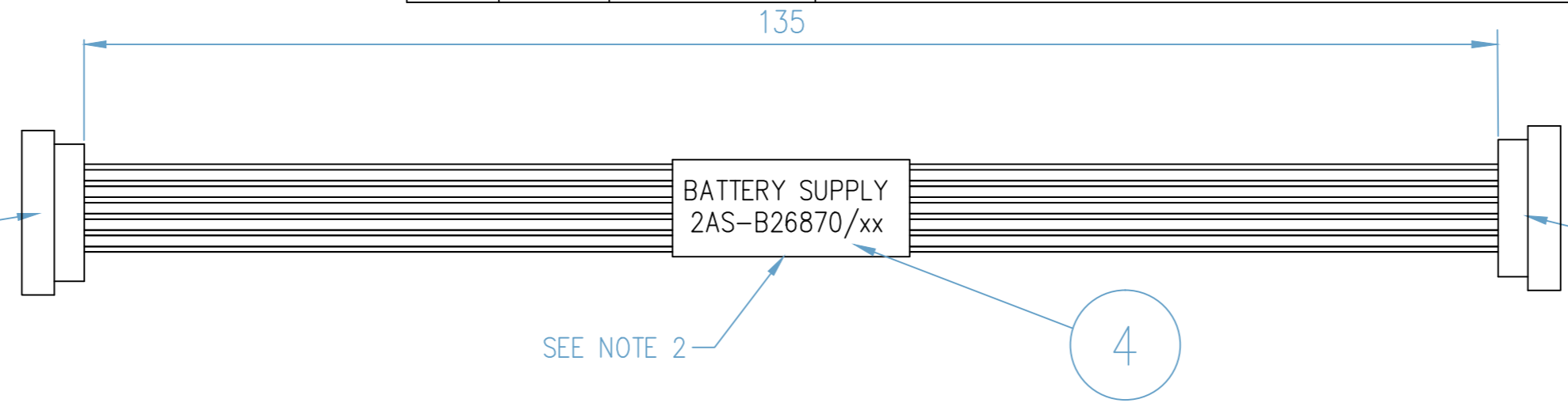


3RD ANGLE PROJECTION

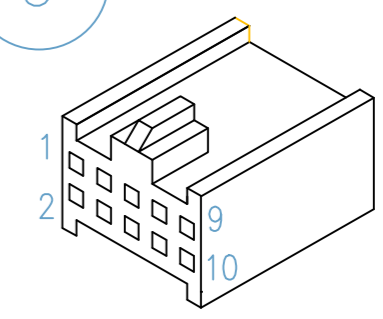
ASSY REF	DRG PREFIX	PART NUMBER	DESCRIPTION/NSN	No OFF	ADDITIONAL DATA
1		N.D	WIRE RED 7/0.2mm 100M//PRO POWER//MC6A-7/0.2T2-RD-100	A/R	(KNOWN SUPPLIER) FARNELL 121-9325
2		N.D	WIRE BLACK 7/0.2mm 100M//PRO POWER//MC6A-7/0.2T2-BK-100	A/R	(KNOWN SUPPLIER) FARNELL 121-9323
3		N.D	CRIMP SOCKET 26-28AWG//MOLEX//90119-2121	20	(KNOWN SUPPLIER) FARNELL 937-3280
4		N.D	LABEL SELF LAM 25.4x38.1mm PK250//BRADY//XSL-31-427	1	(KNOWN SUPPLIER) FARNELL 8769192
SKA		N.D	HOUSING 2ROW FRICTION LOCK 10 WAY//MOLEX//90142-0010	2	(KNOWN SUPPLIER) FARNELL 329-1583
SKB		N.D	SEE SKA		



3 SKA



SKB 3



+9V RAW 1) 1	RED	1	(+9V RAW 1
+9V RAW 1) 2	RED	2	(+9V RAW 1
GND) 3	BLACK	3	(GND
GND) 4	BLACK	4	(GND
GND) 5	BLACK	5	(GND
GND) 6	BLACK	6	(GND
GND) 7	BLACK	7	(GND
GND) 8	BLACK	8	(GND
+9V RAW 2) 9	RED	9	(+9V RAW 2
+9V RAW 2) 10	RED	10	(+9V RAW 2

NOTES

- CONNECT UP USING EQUIPMENT WIRE ITEMS 1 AND 2 COLOURS AS SPECIFIED
- MARK INFORMATION SHOWN ON THE LABEL IN THE CENTRE OF THE CABLE ASSEMBLY (/xx DENOTES SERIAL No) LABEL TOOLING BRADY-XPRT-ABC/XPRT-KEY (FARNELL 8769010/8769036)
- TEST FOR CONTINUITY AFTER FABRICATION
- TOOLING :- CRIMP TOOL MOLEX PART 063819-0200 (FARNELL 169-8816)

MATERIAL SEE PARTS LIST	TITLE BATTERY SUPPLY CABLE ASSEMBLY		
FINISH		TOLERANCES LINEAR +/- 20	ORIG. SCALE N.T.S
SURFACE TEXTURE		DRAWING No. 2AS-B26870	DIM. IN mm
		VER - REV L00-00	SHT 1 OF 1

