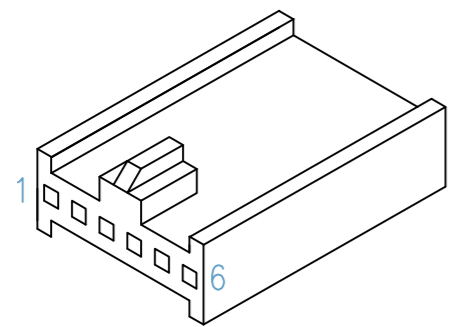
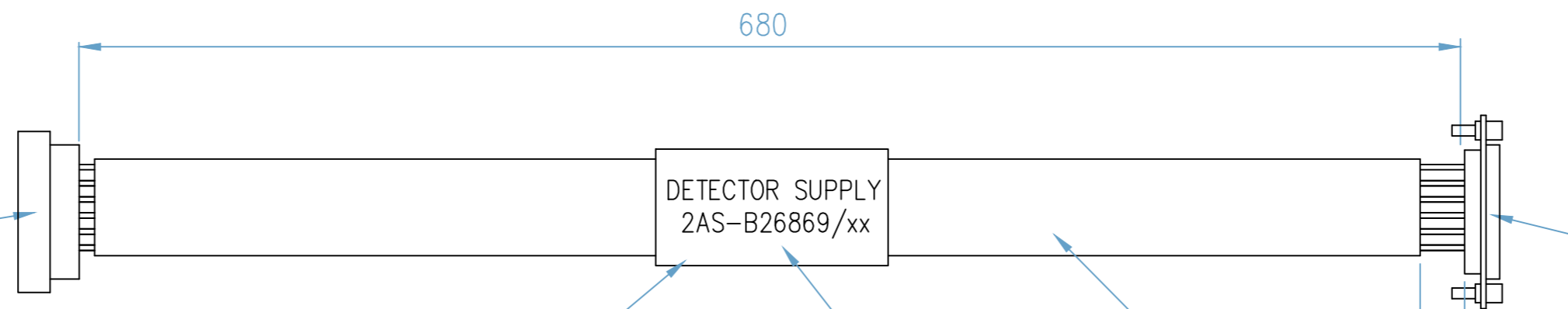


3RD ANGLE PROJECTION 

ASSY REF	DRG PREFIX	PART NUMBER	DESCRIPTION/NSN	No OFF	ADDITIONAL DATA
1		N.D	CABLE DEF 7-2-4C 4CORE 25M//PRO POWER//7000513	A/R	(KNOWN SUPPLIER) FARNELL 119-0253
2		N.D	SCREWLOCK D FEMALE 8mm 4-40 UNC//MULTICOMP//257795	2	(KNOWN SUPPLIER) FARNELL 109-9010
3		N.D	CRIMP SOCKET 26-28AWG//MOLEEX//90119-2121	6	(KNOWN SUPPLIER) FARNELL 973-3280
4		N.D	LABEL SELF LAM 25.4x38.1mm PK250//BRADY//XSL-31-427	1	(KNOWN SUPPLIER) FARNELL 8769192
SKA		N.D	HOUSING FRICTION LOCK 6 WAY//MOLEX//90156-0146	1	(KNOWN SUPPLIER) FARNELL 329-1479
SKB		N.D	SOCKET D SOLDER 9 WAY//TE CONNECTIVITY/AMP//5-747905-2	1	(KNOWN SUPPLIER) FARNELL 113-4837

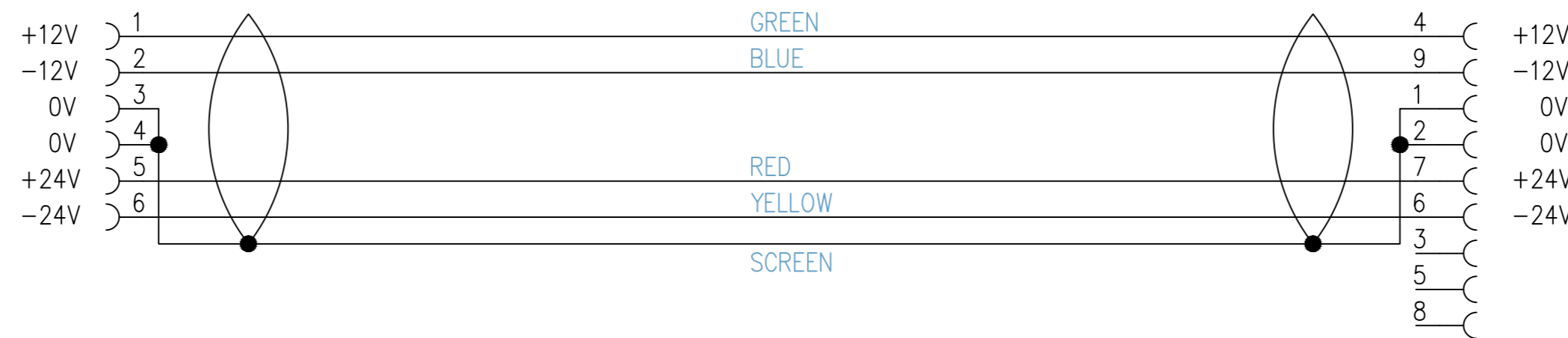


3 SKA



SKB 2

SEE NOTE 1



NOTES

- MARK INFORMATION SHOWN ON THE LABEL IN THE CENTRE OF THE CABLE ASSEMBLY (/xx DENOTES SERIAL No)  
LABEL TOOLING BRADY-XPRT-ABC/XPRT-KEY (FARNELL 8769010/8769036)
- TEST FOR CONTINUITY AFTER FABRICATION
- TOOLING USE CRIMP TOOL MOLEX 063819-0200 (FARNELL 169-8816)

MATERIAL SEE PARTS LIST	TITLE BACKPLANE TO DETECTOR DETECTOR SUPPLIES CABLE ASSY		
FINISH	 UNITED KINGDOM - NORWAY INITIATIVE	TOLERANCES LINEAR +/-10	ORIG. SCALE N.T.S
SURFACE TEXTURE		DRAWING No. 2AS-B26869	DIM. IN mm
		VER - REV L00-00	SHT 1 OF 1

